

**OFFSET RING WRENCHES - METRIC | E113321**

**Description**

- ISO 691 - ISO 1711-1 - ISO 3318 - ISO 10104 - DIN 838
- 12-point OGV® ring wrenches offset by 70° for better access to recessed nuts.
- OGV® Ring profile maximizing contact surface with the nut for a longer lifetime.
- Forged in Chrome Vanadium steel.
- High chrome finish.

**Information**

**EAN** 3258951133217

**A1 [mm]** 7

**A [mm]** 6

**B [mm]** 10.8

**B1 [mm]** 12.5

**C [mm]** 4

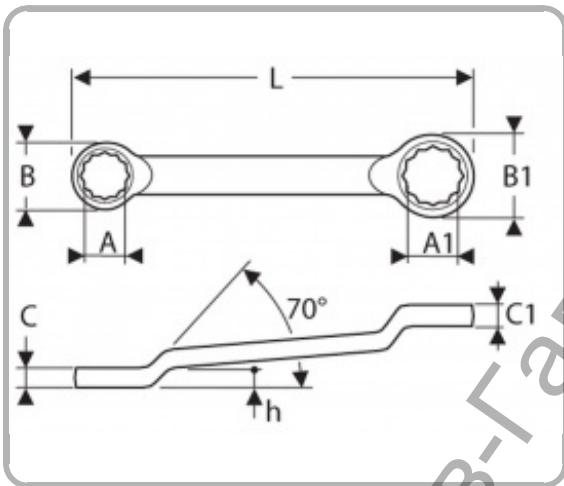
**C1 [mm]** 5.6

**H1 [mm]** 19.5

**L [mm]** 170

**Conditioning** 1

**[g]** 45



Ташев-Галвини ООД  
www.tashev-galving.com